

Technical data sheet

Product features



Vacuum packing machine 20 m3/h, 460 mm

Model	SAP Code	00013550
--------------	-----------------	----------



- Vacuum pump power [m3/h]: 20
- Length of sealing bar [mm]: 460
- Width of internal part [mm]: 470
- Depth of internal part [mm]: 530
- Height of internal part [mm]: 210
- Control type: Digital
- Gas flush: No
- Number of programs: 10
- Sealing time adjustment: Yes
- Vacuum time adjustment: Yes
- Lid security element: Yes
- Manometer: Yes

SAP Code	00013550	Loading	230 V / 1N - 50 Hz
Net Width [mm]	545	Vacuum pump power [m3/h]	20
Net Depth [mm]	655	Length of sealing bar [mm]	460
Net Height [mm]	540	Width of internal part [mm]	470
Net Weight [kg]	67.00	Depth of internal part [mm]	530
Power electric [kW]	0.750	Height of internal part [mm]	210

Technical data sheet

Technical drawing

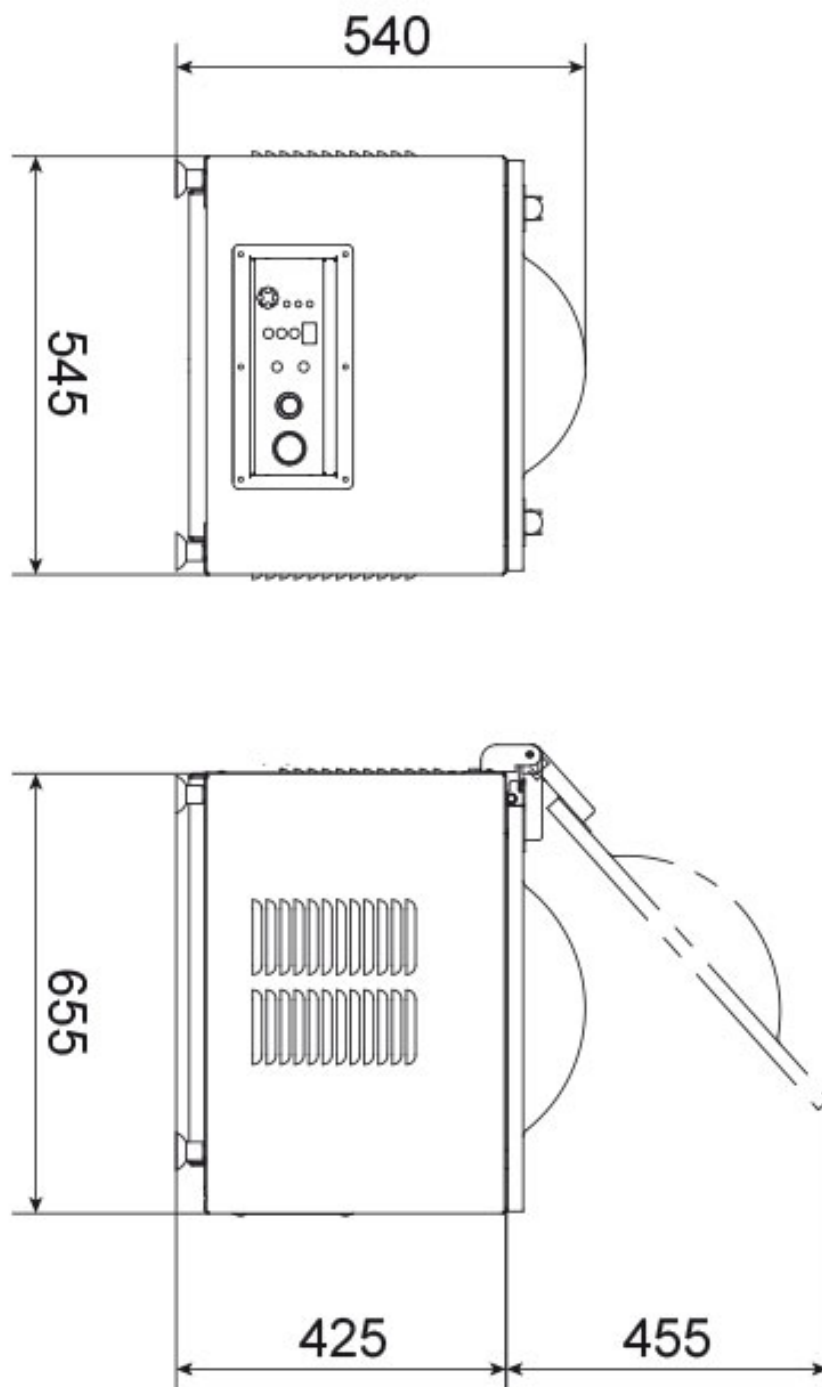


Vacuum packing machine 20 m³/h, 460 mm

Model

SAP Code

00013550



Technical data sheet

Product benefits



Vacuum packing machine 20 m3/h, 460 mm

Model

SAP Code

00013550

1

Adjustable welding time

tighter packaging closure

- greater security of closure
- less error in operation

2

Convex plexiglass cover

greater variability of vacuuming

- possibility to vacuum larger quantities at once

3

Stainless steel chamber

endurance

easy maintenance

- easy to maintain thanks to the stainless steel chamber
- hygienic cleanliness

4

Softair slow return of air to the chamber

care for the product and the bag

- softair eliminates the risk of damage to the bag and the vacuumed food, thus saving costs

5

Rubber feet

vibration elimination

- nižší hlučnost zařízení
- prodloužení životnosti

Technical data sheet

Technical parameters



Vacuum packing machine 20 m3/h, 460 mm

Model

SAP Code

00013550

1. SAP Code:

00013550

2. Net Width [mm]:

545

3. Net Depth [mm]:

655

4. Net Height [mm]:

540

5. Net Weight [kg]:

67.00

6. Gross Width [mm]:

700

7. Gross depth [mm]:

700

8. Gross Height [mm]:

620

9. Gross Weight [kg]:

96.00

10. Device type:

Electric unit

11. Material:

Stainless steel

12. Power electric [kW]:

0.750

13. Loading:

230 V / 1N - 50 Hz

14. Control type:

Digital

15. Safety cover:

transparent plexiglass

16. Safety element:

lid opening fuse

17. Main switch:

Yes

18. Timer:

Yes

19. Gas flush:

No

20. Vacuum pump power [m3/h]:

20

21. Length of sealing bar [mm]:

460

22. Number of programs:

10

23. Sealing time adjustment:

Yes

24. Vacuum time adjustment:

Yes

25. Lid security element:

Yes

26. Manometer:

Yes

27. Width of internal part [mm]:

470

28. Depth of internal part [mm]:

530

Technical data sheet

Technical parameters



Vacuum packing machine 20 m³/h, 460 mm

Model

SAP Code

00013550

29. Height of internal part [mm]:

210

30. Cross-section of conductors CU [mm²]:

0,5

– Výkon (kW): 2,4-3,3 (230 V)